

WISHBONE SITE FURNISHINGS

210-27090 GLOUCESTER WAY LANGLEY, BC

DWG. TITLE: Urban Form Self Watering Planter All Metal

REVISION: 23/08/21 R:00

MATERIAL:
ALUMINUM

DWG. NO.
DWSBPT23082100

DRAWN BY:
GARY PARMAR

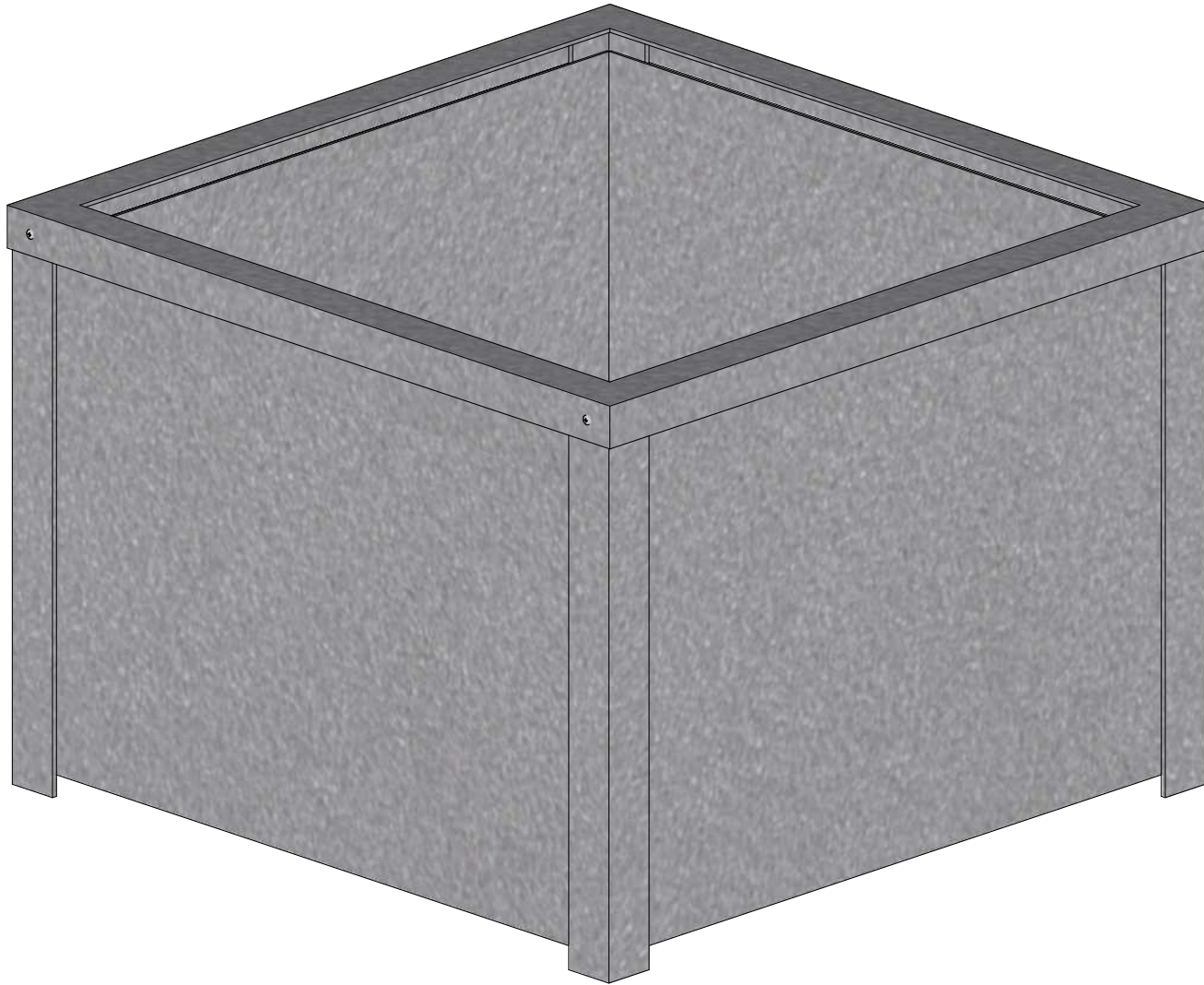
PATTERN NO.
N/A

MODEL NO.
UFSWPAL-38

SCALE:
1:16

SHEET:
1 OF 2

DATE:
23 AUG 21



WISHBONE SITE FURNISHINGS

210-27090 GLOUCESTER WAY LANGLEY, BC

DWG. TITLE: Urban Form Self Watering Planter All Metal

REVISION: 23/08/21 R:00

MATERIAL:
ALUMINUM

DWG. NO.
DWSBPT23082100

DRAWN BY:
GARY PARMAR

PATTERN NO.
N/A

MODEL NO.
UFSWPAL-38

SCALE:
AS SHOWN

SHEET:
2 OF 2

DATE:
23 AUG 21